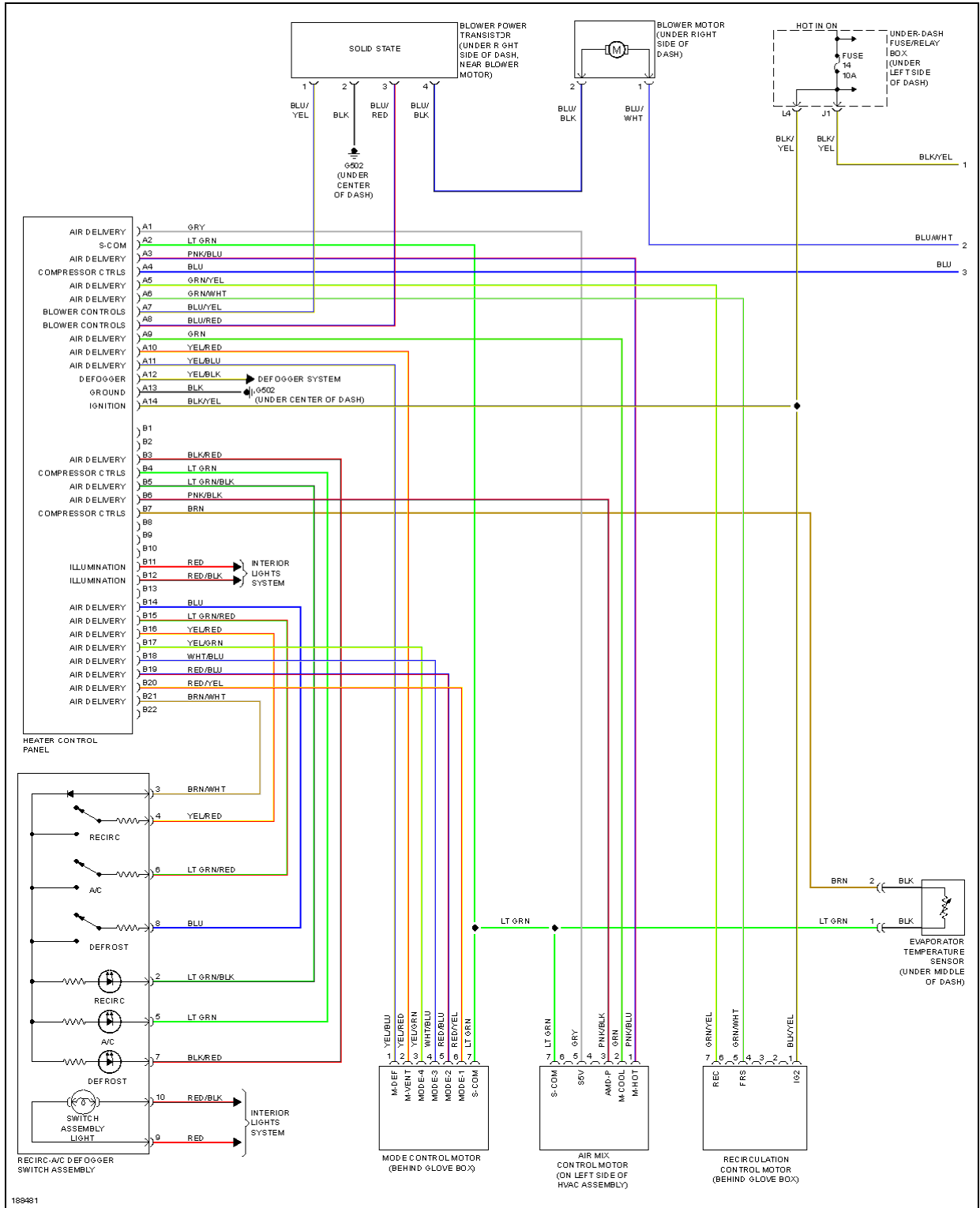


# 2005 Honda Civic LX

## SYSTEM WIRING DIAGRAMS

Fig. 6: Manual A/C Circuit, Except Hatchback & Hybrid (1 of 2)



# 2005 Honda Civic LX

## SYSTEM WIRING DIAGRAMS

Fig. 7: Manual A/C Circuit, Except Hatchback & Hybrid (2 of 2)

